

CHANGZHOU WUJIN KAILI ELECTRONIC FACTORY

SPECIFICATION SHEET

ELECTRONIC SPECIFICATION:

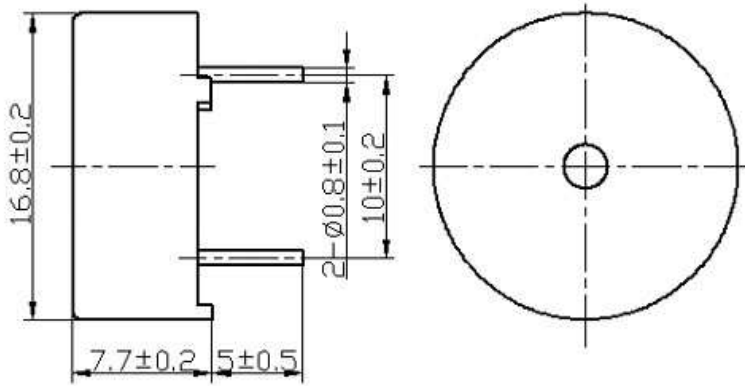


HP1770A SERIES:

Type	UNIT	HP1770A
*Min. Sound Output at 10cm	dB	85
Rated Voltage	Vp-p	9
Operating Voltage	Vp-p	1~30
Resonant Frequency	Hz	4000±500
*Max. Current Consumption	mA	2
Capacitance at 1,000HZ	pF	15000±30%
Operating Temperature	℃	-20 ~ +70
Storage Temperature	℃	-30 ~ +80
Weight	g	1.3

Value applying at rated voltage

DIMENSIONS Unit:mm Tolerance:±0.5



<http://www.piezo-buzzers.com>

E-mail: sales@piezo-indicator.com